

•c o m  
**XIMU|A**  
the flexible system



For more than ten years, Zhaplin Group of Companies and its subsidiaries have been dedicated in providing quality aluminum based interior products and systems that cater to the need of contemporary homes in these modern times.

Our History :

Incorporated in 1999, Zhaplin has grown from a small start up business of less than 10 workers to owning group of companies with a labor force of over hundreds of workers. It started out as a manufacturing and retail company of aluminum based furniture under Zhaplin Work Pte Ltd. A few years later, Zhaplin's products have gained popularity and tremendous market share in the retail sector.

In 2004, Zhaplin took its first step out of Singapore into Malaysian region as it set up its factories namely Zhaplin Work Sdn Bhd in Kuala Lumpur and Zhaplin Design Sdn Bhd in Johor. Subsequently Zhaplin Work Pty Ltd was incorporated as its business grew in Australia.

In 2006, Zhaplin marks another milestone as Zhaplin Contracts Pte Ltd was created to venture in large scale project and contract works in Singapore. A year after, Zhaplin has made its presence in China by setting up a 3000 square meter factory, Foshan Nanhai Ximula Furniture Co. Ltd. Today, Zhaplin has more than 30 showrooms in China and continue to expand its presence internationally.

Over the years, Zhaplin has established itself as one of the market leaders for creative aluminum furniture for the interior furnishing industry. Our products are marketed all over the world with an extensive global network in many countries such as South Africa, Australia, China, Indonesia, Malaysia, Philippines, Saudi Arabia, Vietnam, Mexico, New Zealand, and United States of America.

XIMULA.COM was created for further innovative product expansion of revolutionary new furnishing system that encompasses the sleek, minimalist design, durability and multitude configurations to optimize every storage space.

Every piece of XIMULA.COM profile is uniquely designed and engineered offering an exceptional line of aluminum-based furniture that combines contemporary elegance, clean, pure lines, and exquisite craftsmanship. The innovative joinery system that allows for easy shipping and quick and easy assembly.

Being the first few furniture brands in Singapore, XIMULA.COM adopts the ".com" craze to strengthen its brand. To avoid clash or conflict with foreign language and culture, researches have been carried too. Today, XIMULA.COM is widely recognized worldwide with global showrooms in Australia, China, Colombia, Germany, India, Indonesia, Malaysia, Mexico, New Zealand, Philippines, Saudi Arabia, USA, & Vietnam.

# introduction

**XIMULA.COM™** which received the *Malaysia Good Design Award*, was judged not only on the aesthetics outlook, but also its functionality, price, quality and safety. Lastly, the award also takes into account of the product's overall contributions and benefits to the user, mankind and the environment at large.

The Malaysia Good Design Award on a product acts as a symbol of high quality and can be an effective marketing tool. This award is a recognition and endorsement that the product has gone through evaluation by professional design bodies that have the set criteria.



In the year 2011, the company obtained its bizSafe level 3 from The Workplace Safety and Health Council of Singapore. bizSafe is a 5-step programme to assist companies build up their W H S capabilities in order to achieve quantum improvements in safety and health standards at the workplace.



Zhaplin's melamine board is a certified Green Label product since 2009. Green Label is a certificate given by the Singapore Environment Council to products / services that have less undesirable effects in our environment.



SUSTAINABLE MELAMINE FACED CHIPBOARD

041 - 030



The Japan Good Design Award or better known as the "G-Mark" is a symbol of "high-qualified", "great usability", and "well-balanced" products. It is accepted to be used only to the "G - Mark" awarded products, and its social value is highly and widely recognised in our life. This is what symbolises our products- **XIMULA.COM™**

In 2012, Zhaplin Contracts achieved its certification for OHSAS 18001:2007. It is an International Occupational Health & Safety Management System Specifications that exercises Integrated Management System Policy.



local & international recognitions



wardrobe series



walk-in wardrobe





NERO series



work station & study



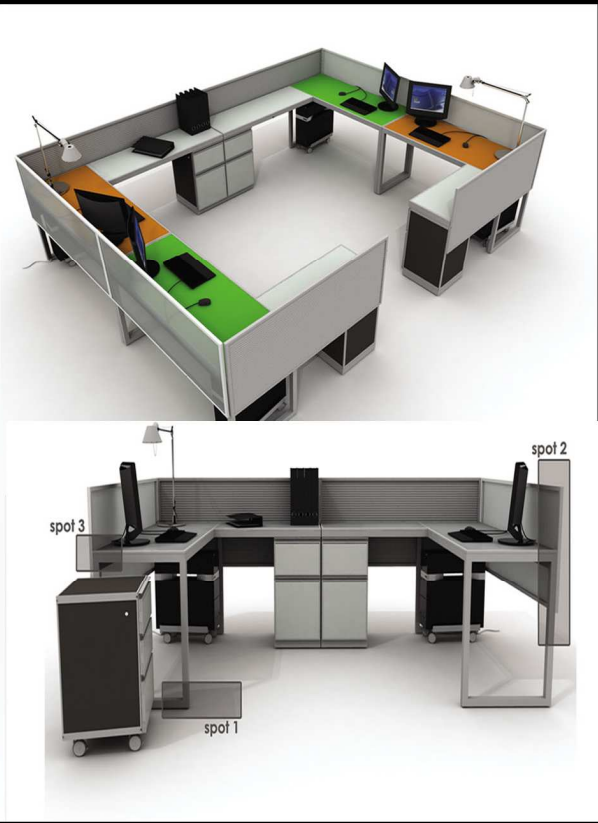
library application



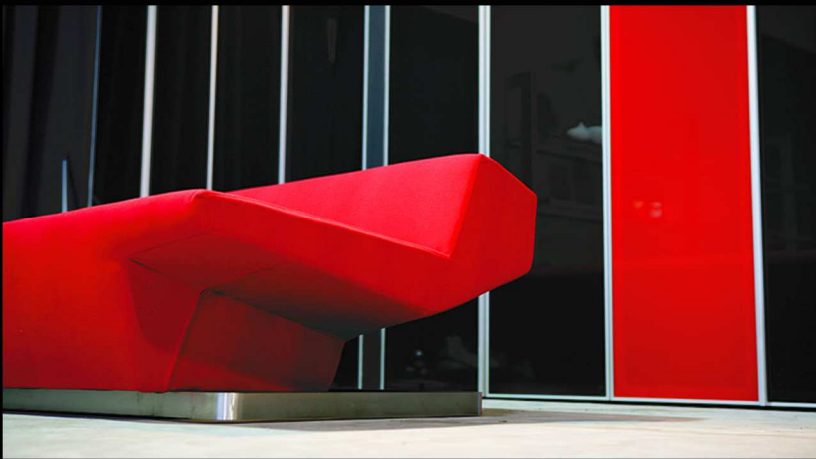
entertainment



display



office solution



residential projects

# d' Evelyn

Peck Hay Road, Singapore



Wardrobe @ Master's Bedroom:

Pole : Floor to wALL Post

Shelf : In M6-WN Melamine Board Finish

Drawer : 4 Tier Drawer with caster in M12-BK Finish, Drawer Front in Clear Glass w/ Black Safety Film Finish

Door : 2 Panels Eco Slidng Door in ClearGlass w/ Black Safety Film Finish & Centre Frame

Kitchen Top Cabinet Door : Clear Glass withWhite Safety Film Finish

Kitchen Bottom Cabinet Door : W6-WN Finish

Drawer : Ximula Drawer w/ Blum Soft Close Mech.

Counter Top : White Solid Top

Wardrobe @ Common Bedroom:

Pole : Floor to Ceiling Post w/ Clip On Light

Shelf : In M6-WN Melamine Board Finish

Drawer : 3 Tier Drawer with caster in

M6-WN Finish, Drawer Front in Clear Glass w/ White Safety Film Finish

Door : 2 Panels Eco Slidng Door in ClearGlass with 216 Safety Film Finish

24 units Condominium, Developed by Eastern Development

2  
r  
v  
g

The Home That Says It All



60 units Condominium, Developed by Affluence Properties

Bukit Timah Road, Singapore



Wardrobe @ Master's Bedroom  
Pole : Floor to Wall Post  
Shelf : In M10-CW Melamine Board Finish  
Drawer : 2 Tier Drawer with lock in M10-CW Finish  
Door : 2 Panels Eco Sliding & Bi-Fold Door  
in ClearGlass with 216 Safety Film Finish w/  
Centre Frame  
Cabinet : Carcass in M10-CW Finish ,  
Sliding Door in Clear Glass with 216 Safety Film Finish



# BELLE VUE

Oxley Walk, Singapore



Wardrobe @ Common Bedroom  
Pole : Floor to Wall Post  
Shelf : M1-WW White Melamine Board Finish  
Drawer : 3 Tier Drawer in M1-WW Finish  
Door : 2 Panels Sliding Door w/ 9mm Built-In  
Frame in Grey Laminate Finish (Jennings RR2191G)  
with Centre Frame



Wardrobe @ Master's Bedroom  
Pole : Floor to Wall Post  
Shelf : M12-BK Black Melamine Board Finish  
Drawer : 3 Tier Drawer in M12-BK Finish  
Door : 4 Panels Sliding Door w/ 9mm Built-In  
Handle in Clear Glass with Black Safety Film  
Finish, and Centre Frame



176 units Condominium, Developed by Wing Tai

# CITY VISTA

Peck Hay Road, Singapore

RESIDENCES



Walk - In Wardrobe @ Master's Bedroom  
Pole : Floor to Ceiling Post  
Shelving : Walnut Black (WNB) Finish  
Drawer : 4 Tier Drawer with Castor

Wardrobe @ Common Bedroom  
Pole : Floor to Ceiling Post  
Shelving : Walnut Black (WNB) Finish  
Drawer : 4 Tier Drawer with Castor  
Door : 2 Panels Eco Sliding Door in  
Clear Glass with Silver Safety Film Finish

Wet & Dry Kitchen  
Cabinet & Drawers :  
Clear Glass with Silver Safety Film finish  
Counter Top : White Solid Surface



70 unit Apartments, Developed by PH Properties Pte Ltd

# Grange Infinite

Grange Road, Singapore



Wardrobe @ Master's Bedroom  
Pole : Floor to Ceiling Post  
Shelf : PUL 002 Leather Finish w/ LED Light  
Drawer : 4 Tier Drawer with  
Castor & lock, divider on 1st Tier  
Door : 2 Eco Sliding Door in Grey Mirror  
Finish with 2 Centre Frame

Wardrobe @ Common Bedroom  
Pole : Floor to Ceiling Post  
Shelf : In MP 235 Maple Finish w/ LED Light  
Drawer : 2 Panels Eco Sliding Door in Grey Mirror  
& M4-IG Finish with 2 Centre Frame



68 units Condominium, Developed by CEL Development



# LUXUS HILLS

Wardrobe @ Master's Bedroom  
Pole : Floor to Ceiling Post  
Shelving : OAKW-V Finish w/  
LED Light  
Drawer : 2Tier Drawer Mounted  
on Pole  
Door : 4 Panels ECO Sliding Door  
in Clear Glass w/ White Safety  
Film Finish together with  
Soft-Close Mechanism, & H-Frame  
Handle  
Backing : OAKW-V finish

Wardrobe @ Common Bedroom  
Pole : Floor to Ceiling Post  
Shelving : OAKW-V Finish w/  
LED Light  
Drawer : 2Tier Drawer Mounted  
on Pole  
Door : 2 Panels ECO Sliding Door  
in Clear Glass w/ 216 Safety  
Film Finish, H-Frame Handle



*Ang Mo Kio Avenue 5, Singapore*



900 units Terrace Houses, Developed by Bukit Sembawang Estate

# C a b ā n a

Sunrise Terrace, Singapore



Wardrobe @ Master's Bedroom  
Pole : Floor Ceiling Post  
Shelf : In Selected Melamine Board Finish  
Drawer : 4 Tier Drawer with Castor  
Door : 4 Panels Top Hung Sliding Door in Grey Mirror Finish, H-Frame Handle

Wardrobe @ Common Bedroom  
Pole : Floor Ceiling Post  
Shelf : In Selected Melamine Board Finish  
Drawer : 3 Tier Drawer with Castor  
Door : 2 Panels Top Hung Sliding Door in Tea Mirror Finish, H-Frame Handle



119 units Condominium, Developed by Far East Organization

# TERRENE

AT BUKIT TIMAH

Toh Tuck Road (District 21), Singapore



Wardrobe @ Master's Bedroom

Pole : Floor to Wall Post

Shelf : In Selected Melamine Board Finish

Drawer : 4 Tier Drawer with Castor

Door : 2 Panels Top Hung Sliding Door  
in Clear Glass with Black Safety Film Finish,  
Centre Frame, & 8mm Built-In Handle

Wardrobe @ Common Bedroom

Pole : Floor to Wall Post

Shelf : In Selected Melamine Board Finish

Drawer : 4 Tier Drawer with Castor

Door : 2 Panels Top Hung Sliding Door  
in Clear Glass with White Safety Film Finish,  
Centre Frame, & 8mm Built-In Handle

172 units Apartment/Condominium, Developed by Premier Land Development Pte Ltd

# Silversea

Marine Parade Road, Singapore

A new horizon is yours



Wardrobe @ Master's Bedroom  
Pole : Floor to Ceiling Post  
Shelf : In Selected Melamine Board Finish  
Drawer : 4 Tier Drawer with Castor  
Door : Top Hung with Bottom Track  
Sliding Door in Clear Glass with  
Safety Film Finish

Wardrobe @ Common Bedroom  
Pole : Floor to Ceiling Post  
Shelf : In Selected Melamine Board Finish  
Drawer : 3 Tier Drawer with Castor  
Door : Top Hung with Bottom Track  
Sliding Door in Clear Glass with  
Safety Film Finish

383 units Condominium, Developed by Marina Green Ltd



# Villa Resort Maldives



Wardrobe & Dresser  
Pole : Floor Ceiling Post  
Shelf : In Selected Melamine Board Finish  
Drawer : 3 Tier Drawer with Castor  
Door : 4 Panels Swing Door in  
Clear Glass w/ 216 Safety Film Finish  
Wardrobe  
Pole : Floor Ceiling Post  
Shelf : In Selected Melamine Board Finish  
Drawer : 2 Tier Drawer with Castor  
Door : 3 Panels Eco Sliding Door in  
Clear Mirror Finish, ECO Door Handle



# Miami, Florida

# Mongolia

# Saudi Arabia

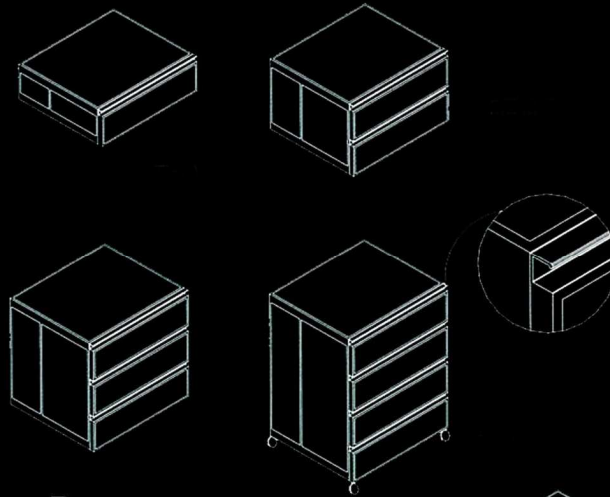
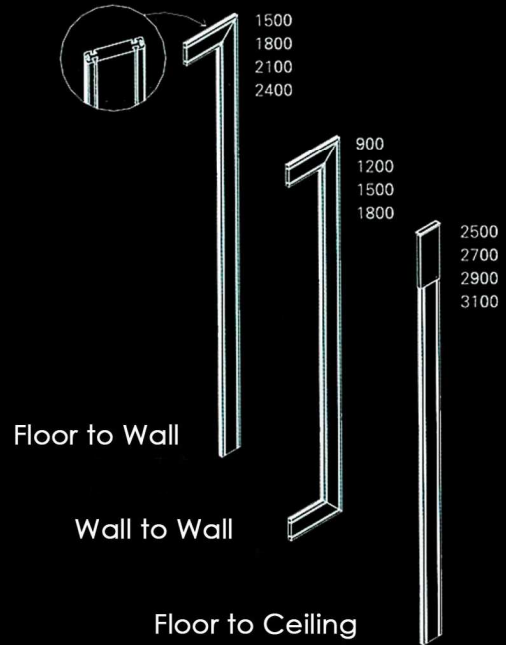


# Zhuhai, China

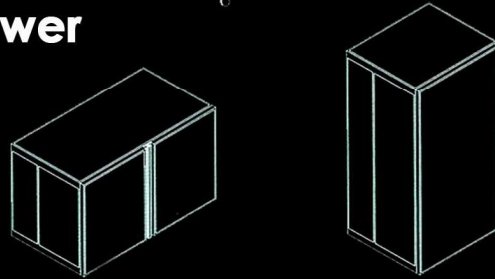


components, specifications, & finishes

## Pole

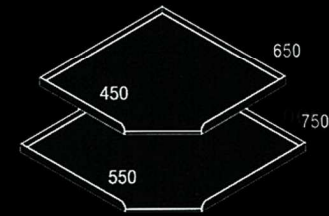
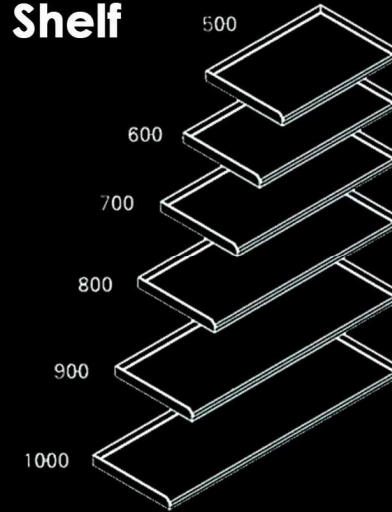


## Drawer



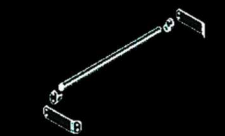
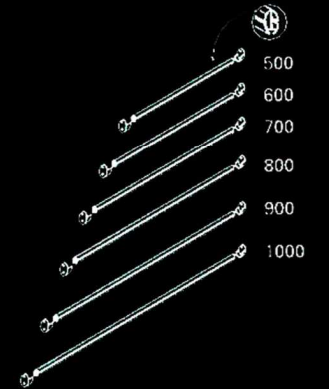
## Cabinet

## Shelf



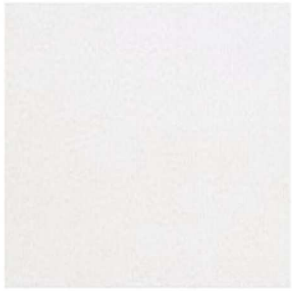
## Corner Shelf

## Hanger Bar



## Corner Hanger Bar

components



M1-WW warm white



M2-MP maple



M3-WP white pine



M4-IG iron grey



M5-WB white beech



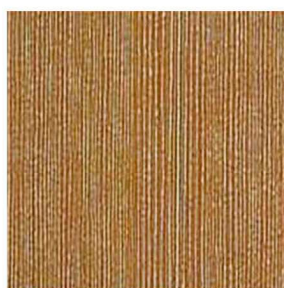
M6-WN walnut



M7-RC red cherry



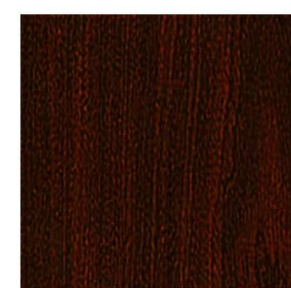
M8-RB rainbow bar



M9-RT red thread



M10-CW chicken wing



M11-RD red wood



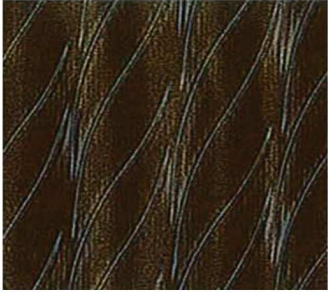
M12-BK black



041 - 030

SUSTAINABLE MELAMINE  
FACED CHIPBOARD

**melamine board**



PU 001



PU 002



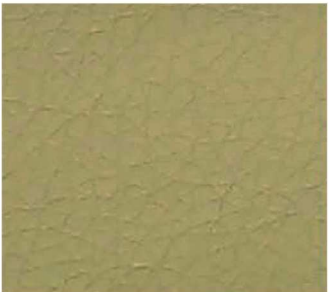
PU 004



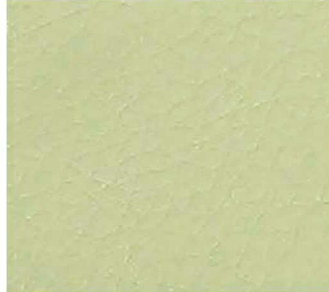
PU 005



PU 006



PU 007



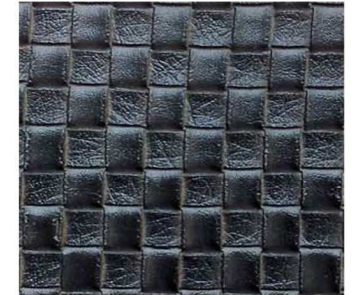
PU 008



PU 009

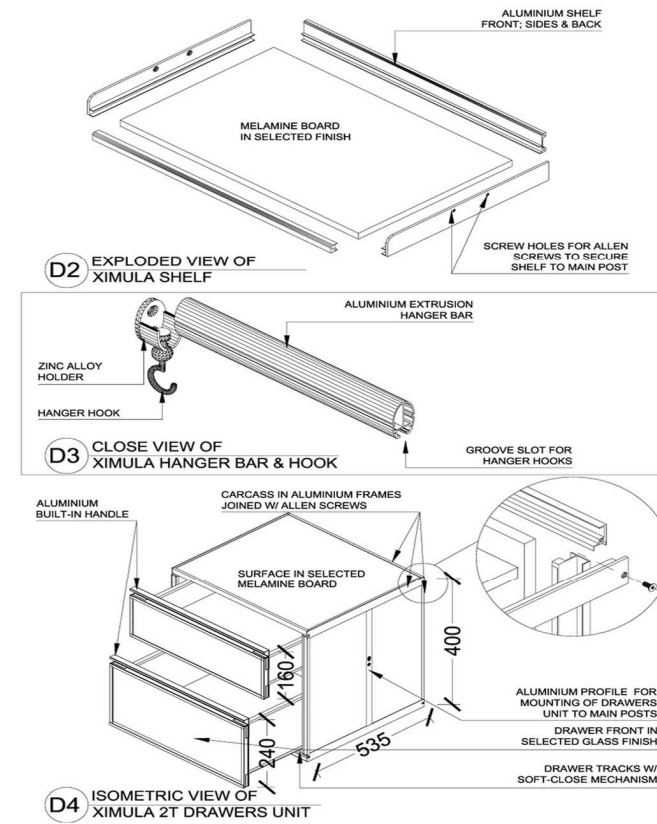
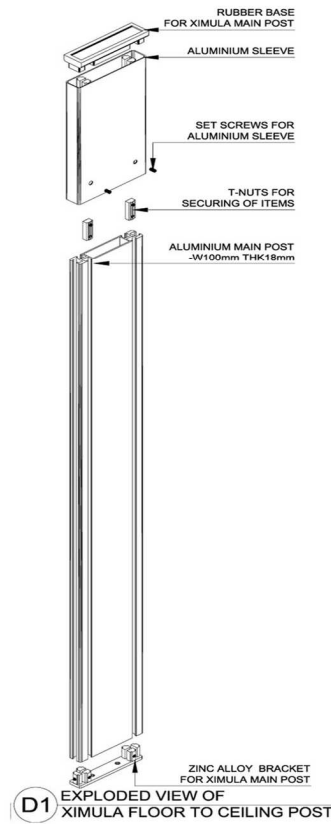
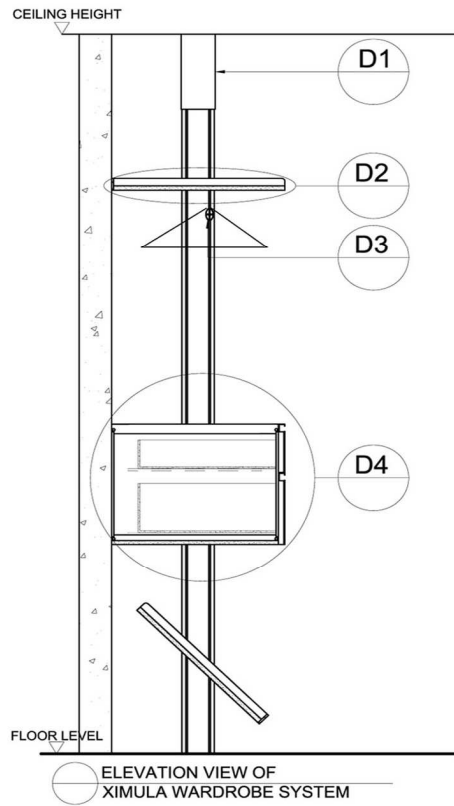


PU 010

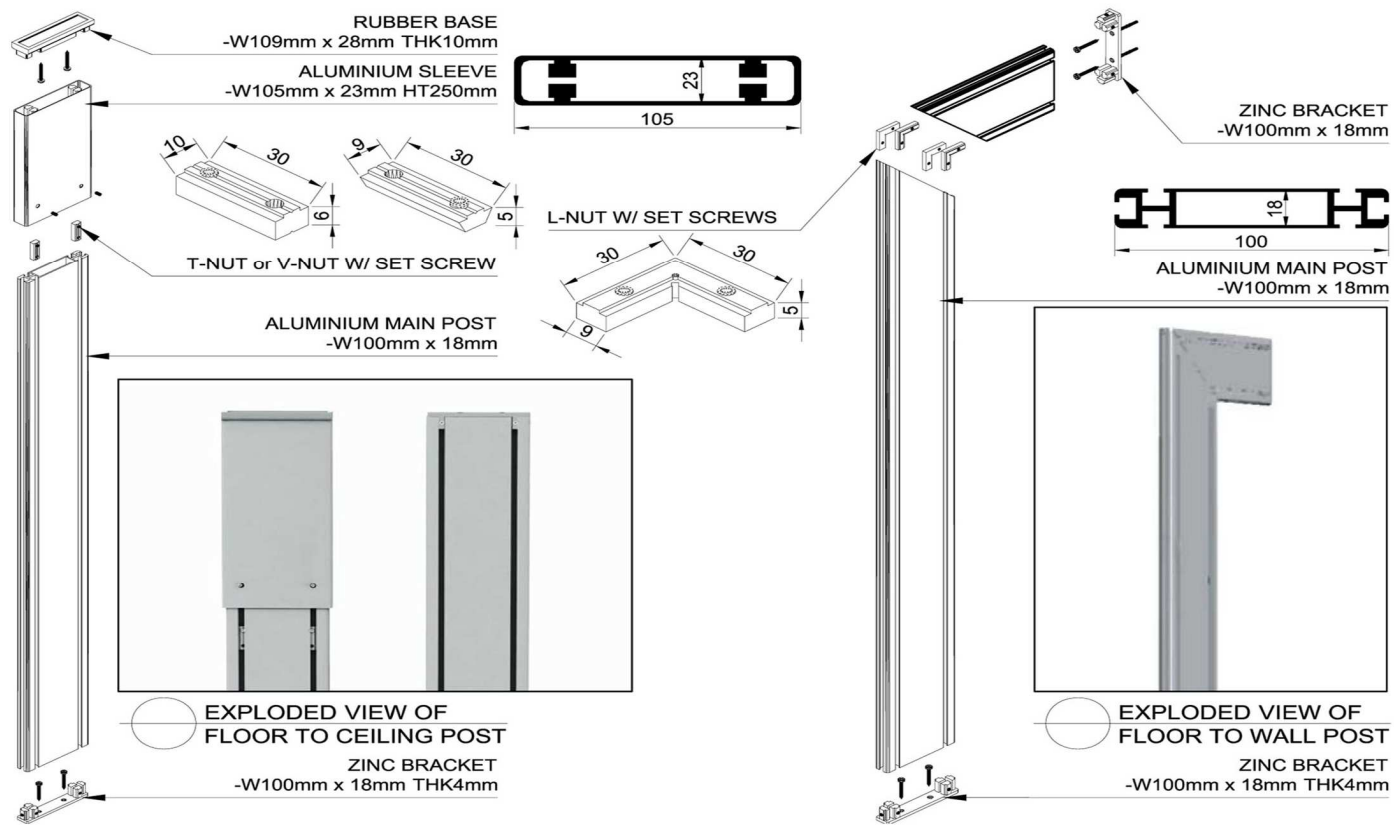


PU 011

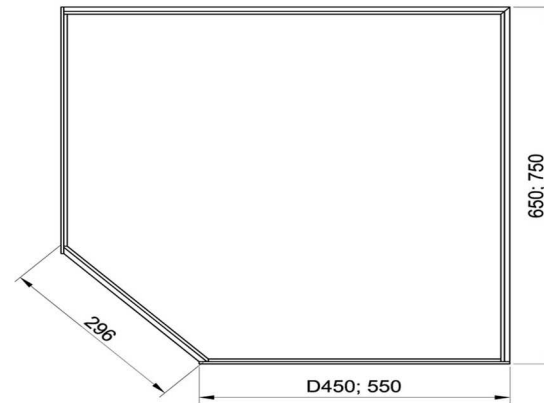
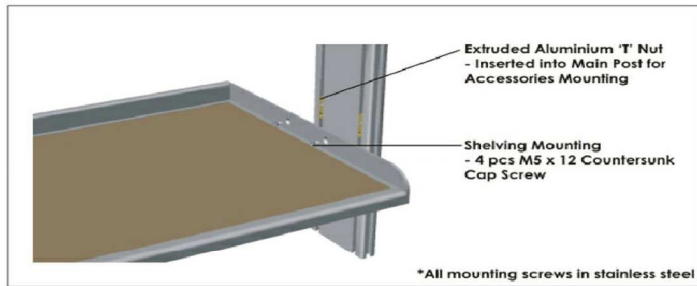
**leather finishes**



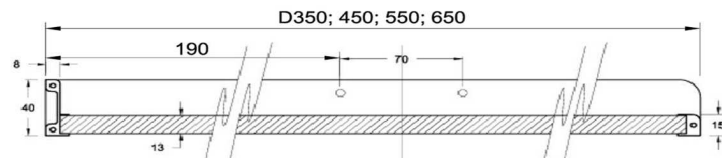
details of Ximula wardrobe system



details of Ximula main pole



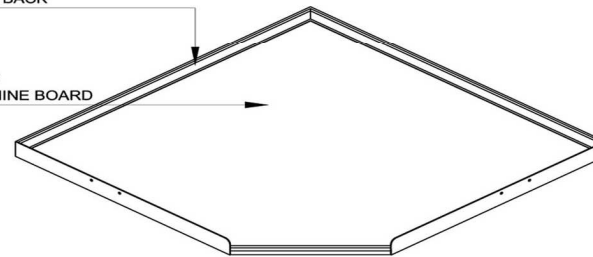
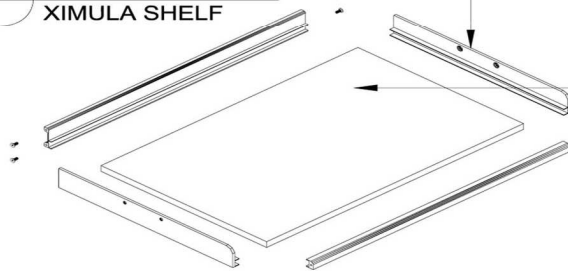
TOP VIEW OF XIMULA CORNER SHELF



SECTION VIEW OF XIMULA SHELF

ALUMINIUM EXTRUSION SHELF FRONT; SIDES & BACK

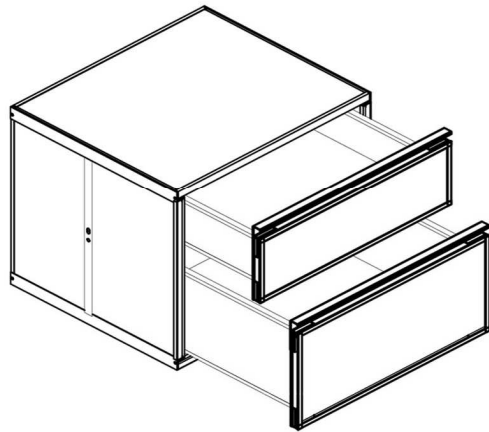
5mm thk GLASS / 12mm thk MELAMINE BOARD



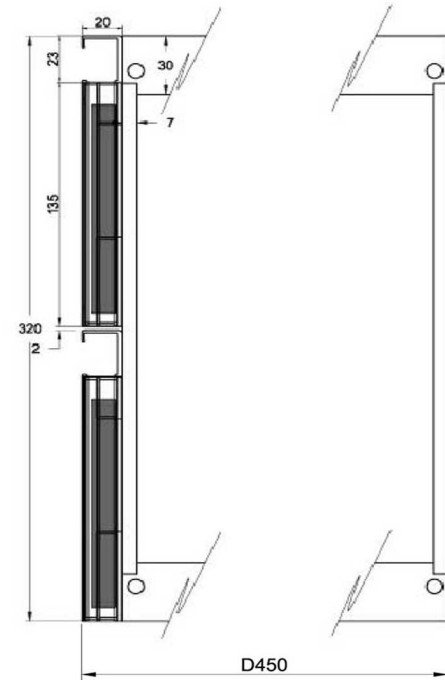
details of Ximula shelf



ALUMINIUM DRAWER FRONT  
W/ BUILT-IN HANDLE

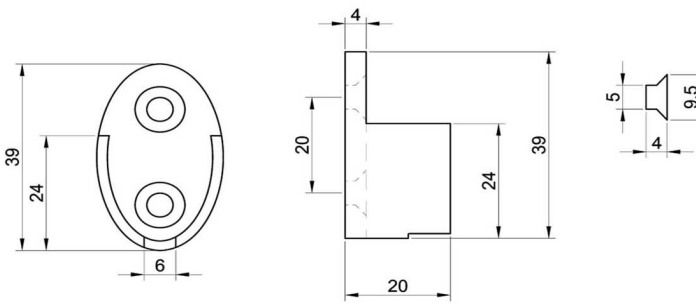


INTEGRATED STEEL DRAWER TRACKS  
W/ SOFT-CLOSE MECHANISM  
\* ALL MOUNTING SCREWS IN STAINLESS STEEL



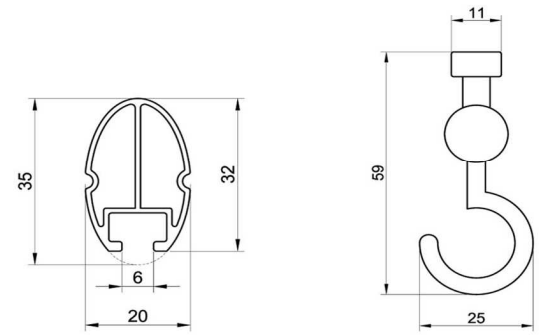
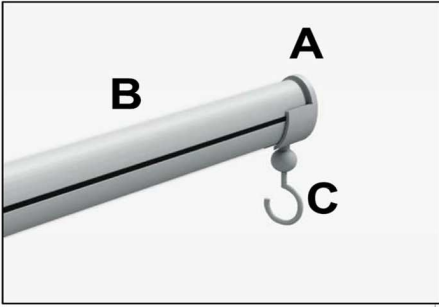
ELEVATION VIEW OF  
XIMULA DRAWERS UNIT

details of Ximula drawer



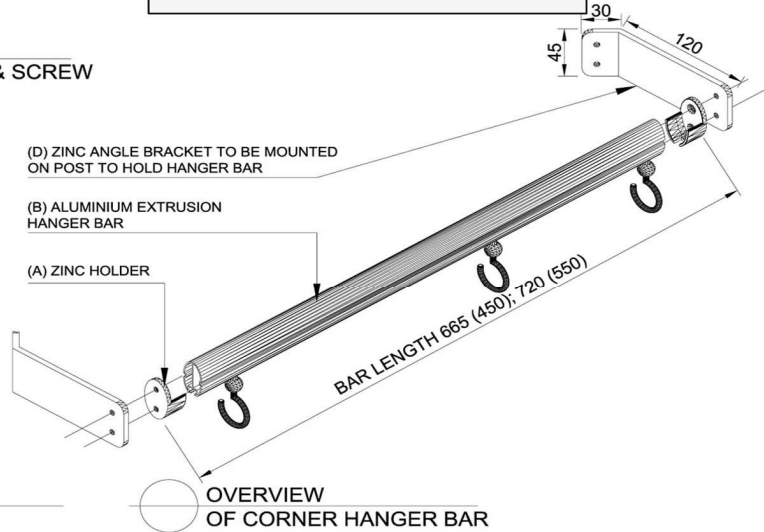
**A** FRONT VIEW OF ZINC HOLDER

**A1** ELEVATION VIEW OF ZINC HOLDER & SCREW



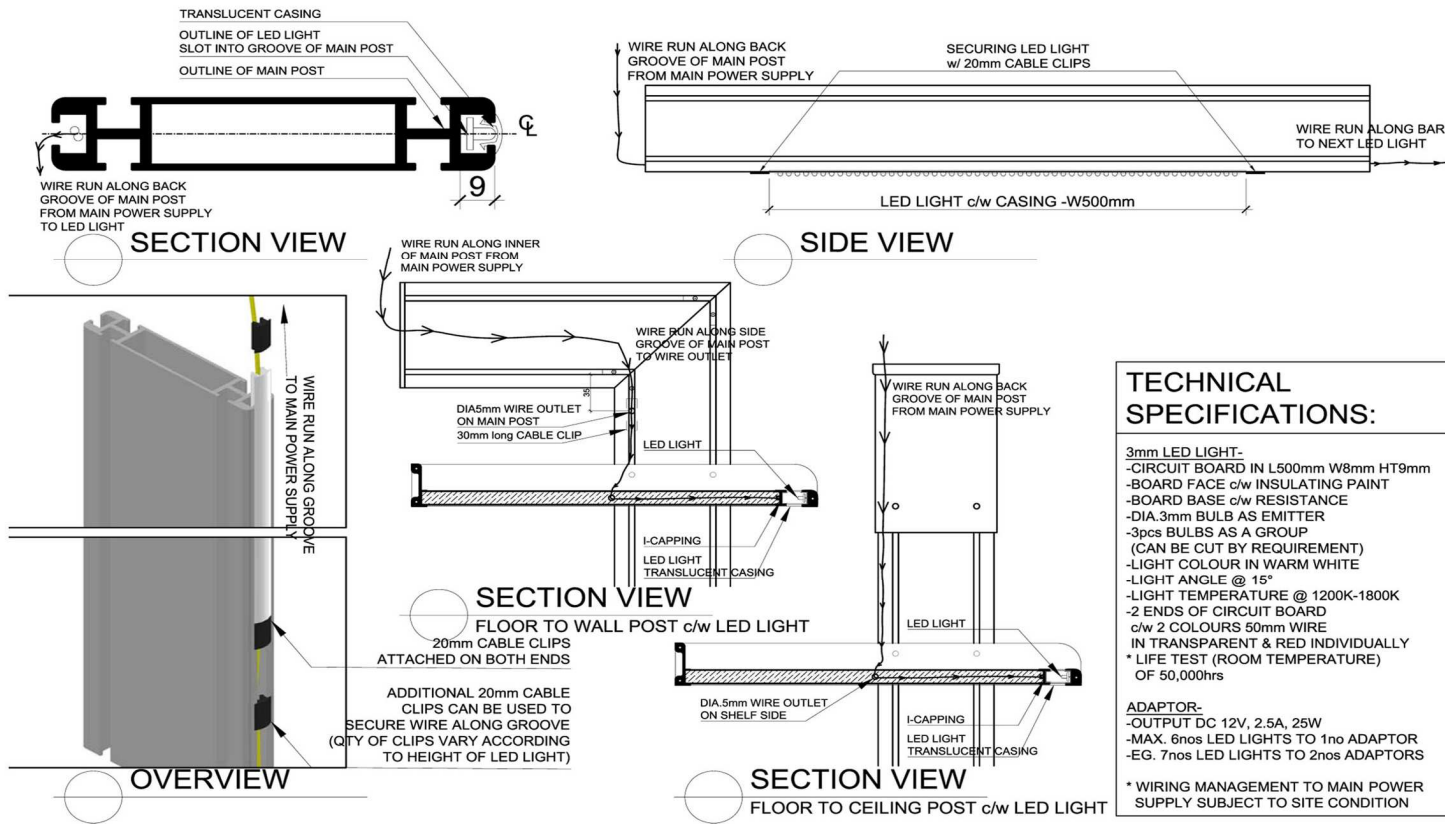
**B** SECTIONAL VIEW OF HANGER BAR

**C** SECTIONAL VIEW OF HOOK

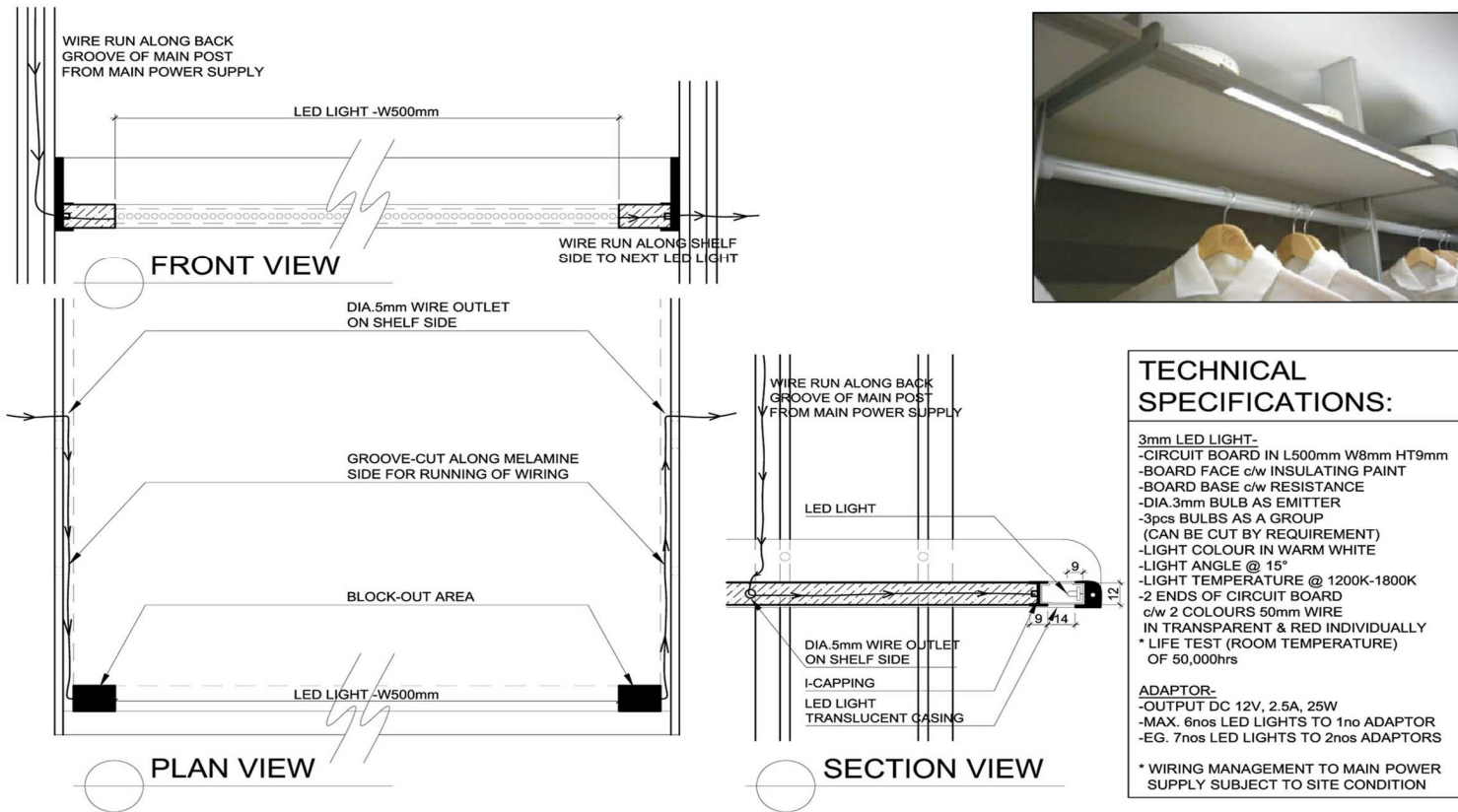


**OVERVIEW OF CORNER HANGER BAR**

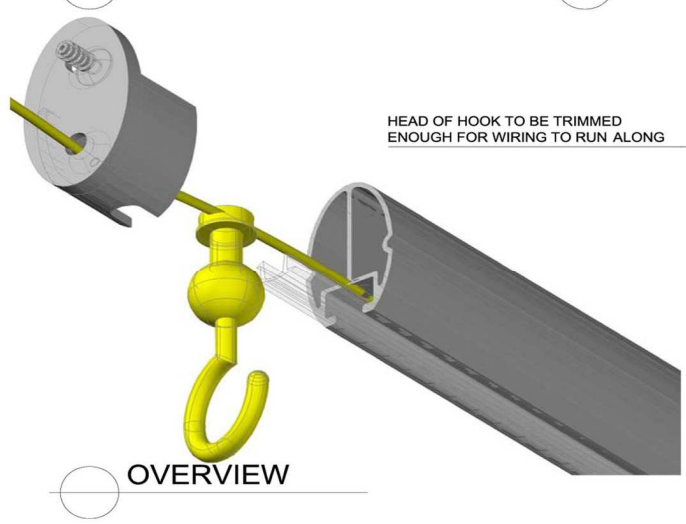
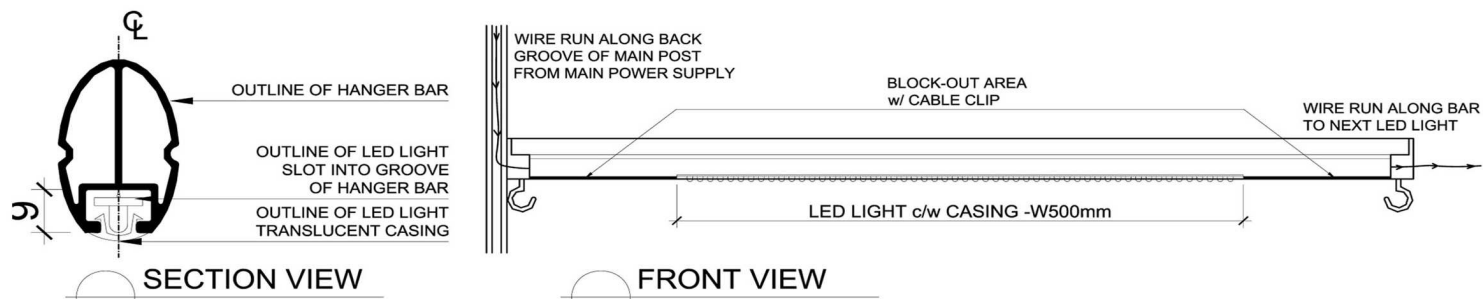
# details of Ximula hanger bar



installation details of LED Light on Ximula pole



installation details of LED Light on Ximula shelf

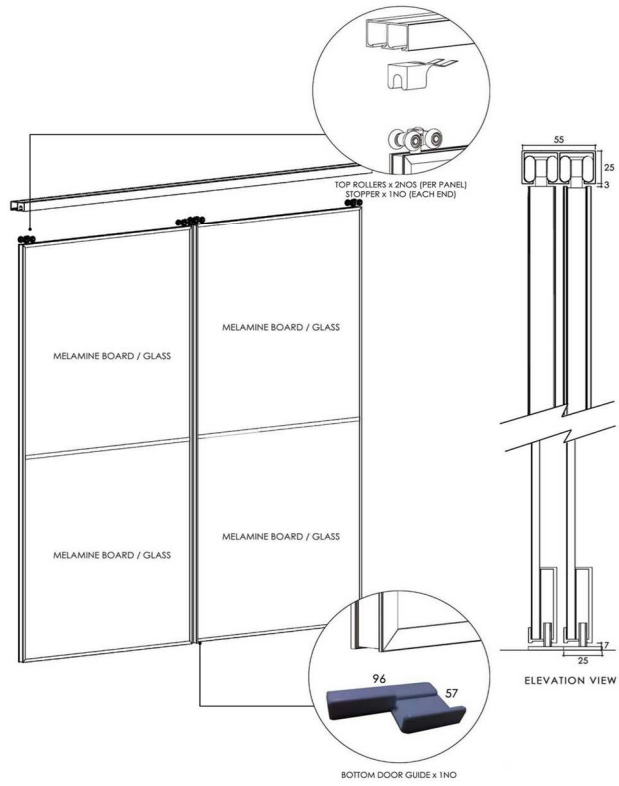


TECHNICAL SPECIFICATIONS:
<b>3mm LED LIGHT-</b>
-CIRCUIT BOARD IN L500mm W8mm HT9mm
-BOARD FACE c/w INSULATING PAINT
-BOARD BASE c/w RESISTANCE
-DIA.3mm BULB AS EMITTER
-3pcs BULBS AS A GROUP (CAN BE CUT BY REQUIREMENT)
-LIGHT COLOUR IN WARM WHITE
-LIGHT ANGLE @ 15°
-LIGHT TEMPERATURE @ 1200K-1800K
-2 ENDS OF CIRCUIT BOARD c/w 2 COLOURS 50mm WIRE IN TRANSPARENT & RED INDIVIDUALLY
* LIFE TEST (ROOM TEMPERATURE) OF 50,000hrs
<b>ADAPTOR-</b>
-OUTPUT DC 12V, 2.5A, 25W
-MAX. 6nos LED LIGHTS TO 1no ADAPTOR
-EG. 7nos LED LIGHTS TO 2nos ADAPTORS
* WIRING MANAGEMENT TO MAIN POWER SUPPLY SUBJECT TO SITE CONDITION

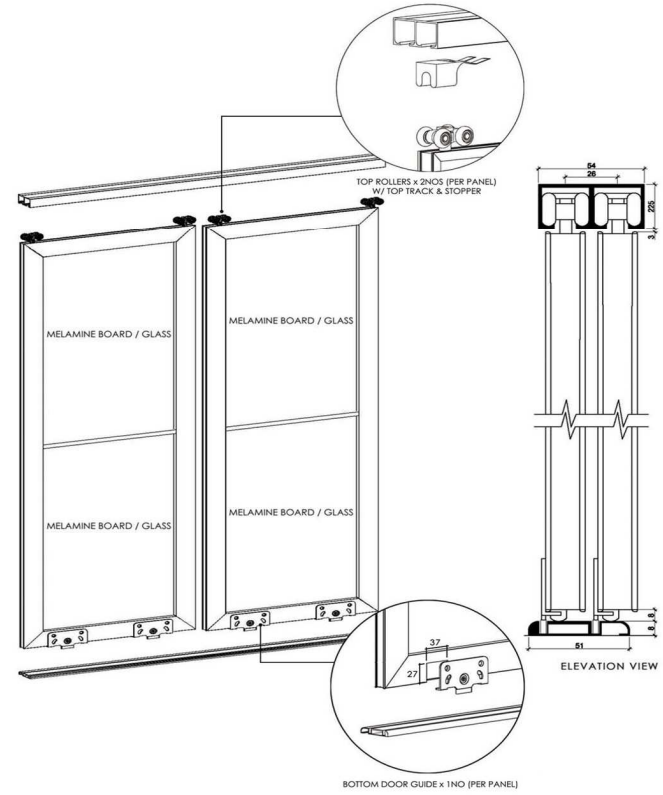
installation details of LED Light on Ximula hanger bar



## THE TOP HUNG BOTTOM GUIDE DOORS



## THE TOP HUNG BOTTOM TRACK DOORS

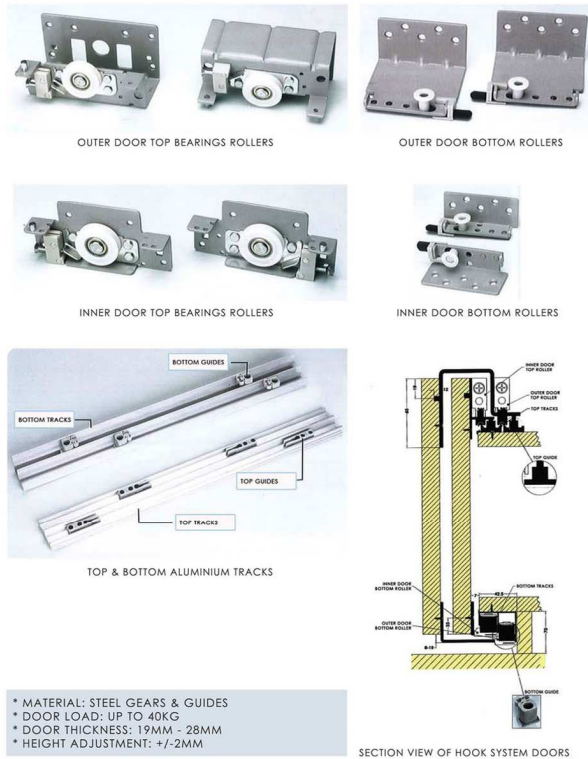


door specifications

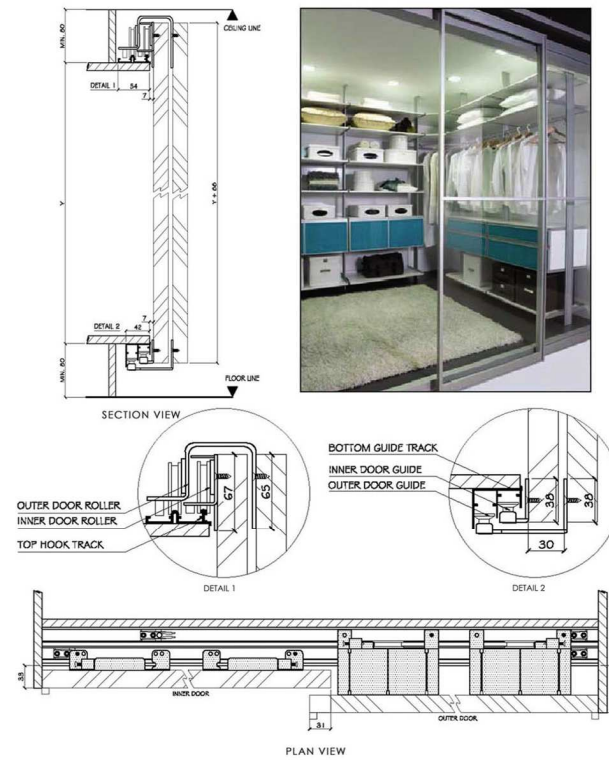




## THE TOP HUNG BOTTOM GUIDE V70 DOORS

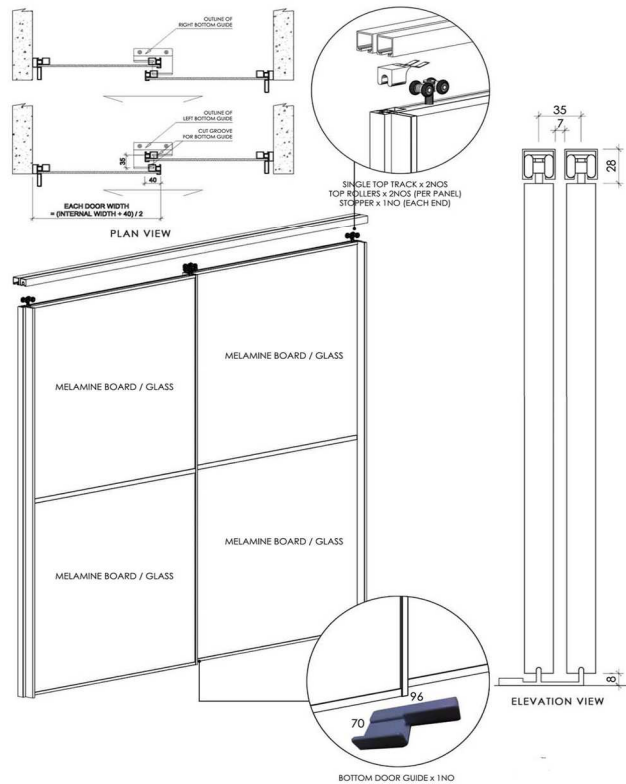


## THE V70 HOOK SYSTEM DOORS




door specifications

## THE TOP HUNG BOTTOM GUIDE V70 DOORS



## MATERIAL DATA SHEET

Zhaplin offers a wide range of flexible & environmental protection products to meet consumers' everyday needs.

MATERIAL TYPE	STANDARD DIMENSIONS	TECHNICAL SPECIFICATION
<b>Double-sided Melamine Faced Particleboard</b>   041 - 030 SUSTAINABLE MELAMINE FACED CHIPBOARD	Thickness 12mm, 18mm  Width 1830 x 2440mm	formaldehyde emission Grade: E1  moisture resistant variant conforms to European Community's BS EN 312 standard  designed with plain board laminated on impregnated melamine paper  termite-proof  heat resistant  abrasion resistant  steam resistant  chemical / stain resistant  environmental protection
<b>Clear Float Glass</b>	Thickness 5mm, 8mm  Width Varies	uniform thickness  very flat surface  optional with range of coloured safety films  available in standard, tempered, tinted or acid-etched
<b>Aluminium Extrusion Profiles</b>		AA6063-T5  anodised 10micro  environmental protection

door specifications

# ZHAPLIN GROUP OF COMPANIES

Head Quarters : 2 Woodlands Sector 1, Spectrum I  
#05-24, Singapore 738068  
Tel : (65) 6352 5255 Fax : (65) 6253 5255

SINGAPORE  
9 Penang Road #02-13 Parkmall  
Singapore 238459  
Tel : (65) 6336 5255 Fax : (65) 6339 5255

SINGAPORE  
#01-1401/1403, 2 Toa Payoh Industrial Park  
Singapore 319054  
Tel : (65) 6353 3533 Fax : (65) 6353 3833

SINGAPORE  
2 Jurong East Street 21, #03-45 IMM Building  
Singapore 609601  
Tel : (65) 6252 3533 Fax : (65) 6899 3533

MELBOURNE, AUSTRALIA  
161/480 La Trobe Street  
Melbourne Vic 3000  
Tel : (603) 8338 6322 Fax : (603) 9018 4303

JOHOR, MALAYSIA  
32 Jln Perdagangan 16  
Taman Universiti 81300 Skudai Johor  
Tel : (607) 5205255 Fax : (607) 5205525

KUALA LUMPUR, MALAYSIA  
39/40 Jalan Layang Layang4  
Puchong Jaya Industrial Park  
Bandar Puchong Jaya 47100, Puchong Selangor  
Tel : (603) 5882 6625 Fax : (603) 5883 6625

GUANGZHOU, CHINA  
Dachong Zhanqui Industrial Park Lishui Nanhai  
Foshan Guangdong Province  
Tel : (86) 757 8561 5255 Fax : (86) 757 8562 5255

GUANGDONG, CHINA  
Bo1 Zone Sunlink Lighting & Kitchen Cabinet  
City Shundue Section  
Foshan Guangdong 528315  
Tel : (86) 757 2923 1525 Fax : (86) 757 2929 1535

